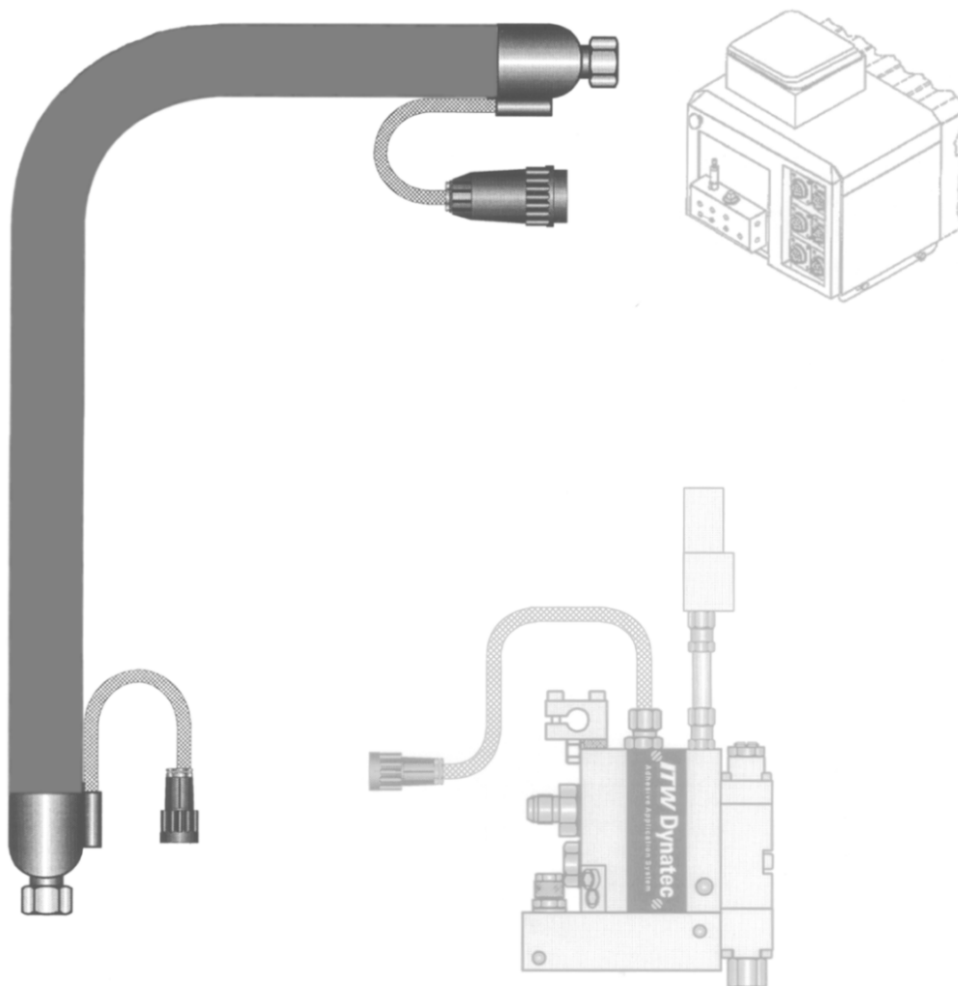


DYNAFLEX Hoses

Technical Documentation, No. 30-07, Rev.8.16



Information about this manual



Read all instructions before operating this equipment!

It is the customer's responsibility to have all operators and service personnel read and understand this information. Contact your ITW Dynatec customer service representative for additional copies.



NOTICE:

Please be sure to include the serial number of your application system each time you order replacement parts and/or supplies. This will enable us to send you the correct items that you need.

ITW Dynatec Service Parts and Technical Service:

| AMERICAS | EUROPE, MIDDLE EAST & AFRICA | ASIA PACIFIC | |
|---|---|--|--|
| ITW Dynatec 31 Volunteer Drive Hendersonville, TN 37075 USA Tel. +1.615.824.3634 info@itwdynatec.com service@itwdynatec.com | ITW Dynatec Industriestrasse 28 40822 Mettmann Germany Tel. +49.2104.915.0 info@itwdynatec.de service@itwdynatec.de | ITW Dynatec Unit2, B1 Building No.9 Weixin Road SIP, Suzhou, 215122 China Tel. +86.512.6289.0620 info@itwdynatec.cn service@itwdynatec.cn | ITW Dynatec Tsukimura Building 5th Floor 26-11, Nishikamata 7-chome Ota-ku, Tokyo 144-0051, Japan Tel. +81.3.5703.5501 info@itwdynatec.co.jp service@itwdynatec.co.jp |

Index

| | |
|---|-----------|
| Information about this manual | 2 |
| Index | 3 |
| Chapter 1 Safety Instructions | 5 |
| General Considerations | 5 |
| Safety Symbols in this Manual | 5 |
| Safe Installation and Operation..... | 6 |
| Explosion/ Fire Hazard..... | 6 |
| Use of PUR (Polyurethane) Adhesives | 6 |
| Eye Protection & Protective Clothing | 7 |
| Electrical..... | 7 |
| Lockout/ Tagout | 7 |
| High Temperatures | 8 |
| High Pressure | 8 |
| Servicing, maintenance..... | 8 |
| Secure transport..... | 9 |
| Treatment for Burns from Hot Melt Adhesives..... | 9 |
| Measures in case of fire..... | 10 |
| Keep attention to environmental protection standards | 10 |
| Chapter 2 Description and Technical Specs | 11 |
| 2.1 Applicable Safety Regulations | 11 |
| Intended Use..... | 11 |
| Unintended Use, Examples..... | 11 |
| Residual Risks | 11 |
| Technical changes | 12 |
| Using foreign components | 12 |
| Setting-up operation..... | 12 |
| 2.2 Description Dynaflex Hoses..... | 13 |
| Description | 13 |
| Specifications | 14 |
| 2.3 Installation Instructions | 15 |
| Typical Installation..... | 15 |
| Hose Installation and Handling Guidelines | 17 |
| 2.4 To Disconnect Hose from ASU or Applicator..... | 18 |
| Chapter 3 Troubleshooting | 19 |
| Hose Troubleshooting Tip..... | 19 |
| Troubleshooting Heaters and RTD Sensors in Dynaflex Hoses..... | 19 |
| Circular plug | 22 |
| Resistance Table Temperature Sensor PT100 RTD IEC 751 / DIN EN 60751..... | 22 |
| Rectangular plug | 23 |
| Resistance Table Temperature Sensor Ni120 RTD | 23 |
| Chapter 4 Available Options & Accessories..... | 25 |
| Typical Dynaflex DynaControl Hoses | 25 |
| Abrasion Resistant DynaControl Hoses, #6 (0.313" ID / DN8)..... | 28 |
| Washdown DCL Hoses, #6 (0.313" ID / DN8) | 28 |
| Challenger Hoses (0.313" ID / DN8), Sensor Ni 120 | 29 |
| Spray (Swirl) Air Regulator Kit | 29 |

Hanger Strap Kit PN 113342..... 30
Accessories 30

Chapter 5 Schematics31

Pin Connectors for Dynaflex Hose..... 31
Schematics 101082-G: DynaControl Hoses 32
Schematic 112633, Rev.A: DynaControl 2-Heater Hoses 33
Schematic 100951, Rev. B: Hose Nordson 34

Chapter 1

Safety Instructions

General Considerations



- **All operators and service personnel must read and understand this manual before operating or servicing equipment.**
- **All maintenance and service on this equipment must be performed by trained technicians.**



Read and adhere to the manual!

1. Read and follow these instructions.
Failure to do this could result in severe personal injury or death.
2. Keep the binding rules for accident prevention valid for your country and the place of installation. Also keep the approved qualified technical rules for safety-conscious and professional work.
3. Additional safety instructions and/ or symbols are located throughout this manual. They serve to warn maintenance personnel and operators about potentially hazardous situations.
4. Subject to technical modifications without notice!
5. To ensure proper operation of the equipment, use specified electrical supply sources.
6. Do not attempt to alter the design of the equipment unless written approval is received from ITW Dynatec.
7. Keep all manuals readily accessible at all times and refer to it often for the best performance from your equipment.

Safety Symbols in this Manual

1. WARNINGS and CAUTIONS are found throughout this manual. WARNINGS mean that failure to observe the specific instructions may cause injury to personnel.
2. CAUTIONS mean that failure to observe the specific instructions may damage the equipment.

Safe Installation and Operation



Read and adhere to the manual!

1. Read this manual before applying electrical power to the equipment. Equipment may be damaged by incorrect electrical connections.
2. To avoid possible failure of hoses, make sure all hoses are routed to avoid kinking, tight radius turns (8" or less, see table under chapter Installation/ Hose Installation and Handling Guidelines) and abrasive contact. Hot-melt hoses should not have prolonged contact with heat-absorbing surfaces such as cold floors or metal troughs. These heat-absorbing surfaces can alter adhesive flow and cause incorrect calibration. Hoses should never be covered with materials that prevent heat dissipation, such as insulation or sheathing. Hoses should be spaced apart from each other, not making direct contact.

Explosion/ Fire Hazard

1. Never operate this unit in an explosive environment.
2. Use cleaning compounds recommended by ITW Dynatec or your adhesive supplier only.
3. Flash points of cleaning compounds vary according to their composition, so consult with your supplier to determine the maximum heating temperatures and safety precautions.

Use of PUR (Polyurethane) Adhesives



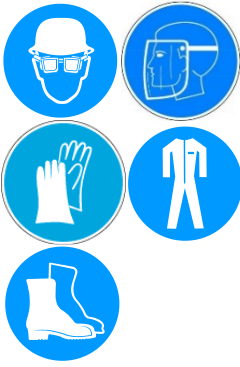
CAUTION

Because of the nature of PUR adhesives to strongly bond in the presence of moisture, care must be taken to prevent them from curing inside ITW Dynatec equipment.

If PUR adhesive solidifies in an equipment, the equipment must be replaced. Always purge old PUR adhesive from the system per your adhesive manufacturer's instructions and time table.

ALLOWING PUR ADHESIVE TO CURE IN A UNIT OR ITS COMPONENTS VOIDS ITW DYNATEC'S WARRANTY.

Eye Protection & Protective Clothing



WARNING

Eye Protection & Protective Clothing Required

1. It is very important that you PROTECT YOUR EYES when working around hot melt adhesive equipment!
2. Wear a face shield conforming to ANSI Z87.1 or safety glasses with side shields which conform to ANSI Z87.1 or EN166.
3. Failure to wear a face shield or safety glasses could result in severe eye injury.
4. It is important to protect yourself from potential burns when working around hot melt adhesive equipment.
5. Wear heat-resistant protective gloves and long-sleeved, protective clothing to prevent burns that could result from contact with hot material or hot components.
6. Always wear steel-reinforced safety shoes.

Electrical



DANGER HIGH VOLTAGE

1. Dangerous voltages exist at several points in this equipment. To avoid personal injury, do not touch exposed connections and components while input power is on.
2. A secure connection to a reliable earth ground is essential for safe operation.
3. An electrical disconnect switch with lockout capability must be provided in the line ahead of the equipment. Wiring used to supply electrical power should be installed by a qualified electrician.
4. Notify the maintenance personnel immediately, if cables are damaged. Provide for exchanging the defective components immediately.

Lockout/ Tagout



Switch the unit voltage-free before working! Main switch OFF!

1. Follow OSHA 1910.147 (Lockout/ Tagout Regulation) for equipment's lockout procedures and other important lockout/tagout guidelines.
2. Be familiar with all lockout sources on the equipment.
3. Even after the equipment has been locked out, there may be stored energy in the application system, particularly in the capacitors within the panel box. To ensure that all stored energy is relieved, wait at least one minute after removing power before servicing electrical capacitors.

High Temperatures



WARNING HOT SURFACE

1. Severe burns can occur if unprotected skin comes in contact with molten adhesive or hot application system parts.
2. Face shields (preferred) or safety glasses (for minimum protection), heat-resistant protective gloves and long-sleeved clothing must be worn whenever working with or around adhesive application systems.

High Pressure



WARNING HIGH PRESSURE PRESENT

1. To prevent serious injury from molten adhesive under pressure when servicing the equipment, disengage the pumps and relieve the adhesive system's hydraulic pressure (i.e. trigger the heads, hand-held applicators, and/or other application devices into a waste container) before opening any hydraulic fittings or connections.
2. IMPORTANT NOTE: Even when a system's pressure gauge reads "0" psi, residual pressure and trapped air can remain within it causing hot adhesive and pressure to escape without warning when a filter cap or a hose or hydraulic connection is loosened or removed. For this reason, always wear eye protection and protective clothing.
3. Either of the two High Pressure symbols shown may be used on ITW Dynatec equipment.
4. Keep the given operating pressure.
5. Notify the maintenance personnel immediately, if hoses or components are damaged. Provide for exchanging the defective components immediately.

Servicing, maintenance

1. Only trained and qualified personnel are to operate and service this equipment.
2. Before any service work disconnect the external power supply and the pressure air supply!
3. Any defects in the equipment that impact safe operation have to be repaired immediately.
4. Check screws that have been loosened during the repair or maintenance, if they are tight again.
5. Adhere to the current safety data sheet of the manufacturer when using hazardous materials (cleaning agents, etc.)!

Secure transport

1. Examine the equipment immediately after receipt, if it has been delivered in perfect condition.
2. Let damages in transit certify by the carrier and announce them immediately to the ITW Dynatec.
3. The equipment has to cool down to room temperature before packaged and transported.

Treatment for Burns from Hot Melt Adhesives

Measures after being burned:

1. Burns caused by hot melt adhesive must be treated at a burn center. Provide the burn center's staff a copy of the adhesive's M.S.D.S. to expedite treatment.
2. Cool burnt parts immediately!
3. Do not remove adhesive forcibly from the skin!
4. Care should be used when working with hot melt adhesives in the molten state. Because they rapidly solidify, they present a unique hazard. Even when first solidified, they are still hot and can cause severe burns.
5. When working near a hot melt application system, always wear safety shoes, heat-resistant protective gloves, safety goggles and protective clothes that cover all vulnerable parts of the body.
6. Always have first-aid information and supplies available.
7. Call a physician and/or an emergency medical technician immediately. Let the burns medicate by a medic immediately.

Measures in case of fire

1. Please heed that hot melt equipment may cause heavy burns. Risk of burns!
2. Work very carefully with molten hot melt. Keep in mind, that already jelled hot melt can be very hot, too.
3. When working near a hot melt application system, always wear safety shoes, heat-resistant protective gloves, safety goggles and protective clothes that cover all vulnerable parts of the body!

Measures in case of fire:

Wear safety shoes, heat-resistant protective gloves, safety goggles and protective clothes that cover all vulnerable parts of the body.

Firefighting - burning hot melt:

Please keep attention to the safety data sheet given by the adhesive manufacturer.

**EXTINGUISH FIRE****Appropriate extinguishing agents:**

Foam extinguisher, Dry powder, Spray, Carbon dioxide (CO₂), Dry sand.

For safety reasons not appropriate extinguishing agents: None.

Firefighting - burning electrical equipment:**Appropriate extinguishing agents:**

Carbon dioxide (CO₂), Dry powder.

Keep attention to environmental protection standards

1. When working on or with the equipment, the legal obligations for waste avoidance and the duly recycling / disposals have to be fulfilled.
2. Keep attention, that during installations, repairs or maintenance matters hazardous to water, like adhesive / adhesive scrap, lubricating grease or oil, hydraulic oil, coolant and cleaner containing solvent not pollute the ground or get into the canalization!
3. These matters have to be caught, kept, transported and disposed in appropriate reservoirs!
4. Dispose these matters according to the international, national and regional regulations.

Chapter 2

Description and Technical Specs

2.1 Applicable Safety Regulations

Intended Use

The Dynaflex hose may be used only to supply suitable materials, e.g. adhesives, from an Adhesive Supply Unit to an Applicator. When in doubt, seek permission from ITW Dynatec.



If the hose is not used in accordance with this regulation, a safe operation cannot be guaranteed.

The operator - and not ITW Dynatec - is liable for all personal injury or property damages resulting from unintended use!



Intended use includes, that you

- read this documentation,
- heed all given warnings and safety instructions.

Any other use is considered to be unintended.

Unintended Use, Examples

The Dynaflex hose may not be used under the following conditions:

- In defective condition.
- In a potentially explosive atmosphere.
- With unsuitable operating/processing materials.
- When the values stated under Specifications are not complied with.

The Dynaflex hose may not be used to process the following materials:

- Toxic, explosive and easily flammable materials.
- Erosive and corrosive materials.
- Food products.

Residual Risks

In the design of the Dynaflex hose, every measure was taken to protect personnel from potential danger. However, some residual risks cannot be avoided.



Personnel should be aware of the following:

- Risk of burns from hot material and hose.
- Risk of burns when attaching and removing heated hoses.
- Material fumes can be hazardous. Avoid inhalation. If necessary, exhaust material vapors and/or provide sufficient ventilation of the location of the system.

Technical changes

Any kind of technical changes having impact to the security or the operational liability of the system should only be done by written agreement of ITW Dynatec. Suchlike changes made without given a corresponding written agreement will lead to immediate exclusion of liability granted by ITW Dynatec for all direct and indirect subsequent damages.

Using foreign components

ITW Dynatec takes no responsibility for consequential damages caused by using foreign components or controllers that have not been provided or installed by ITW Dynatec.

ITW Dynatec does not guarantee that foreign components or controllers used by the operating company are compatible to the ITW Dynatec-system.

Setting-up operation

We recommend asking for an ITW Dynatec-service technician for the setting-up operation, to ensure a functioning system. Let yourself and the people working with or working on the system be introduced to the system on this occasion.

ITW Dynatec takes no responsibility for damages or faults caused by any untrained personal.

2.2 Description Dynaflex Hoses

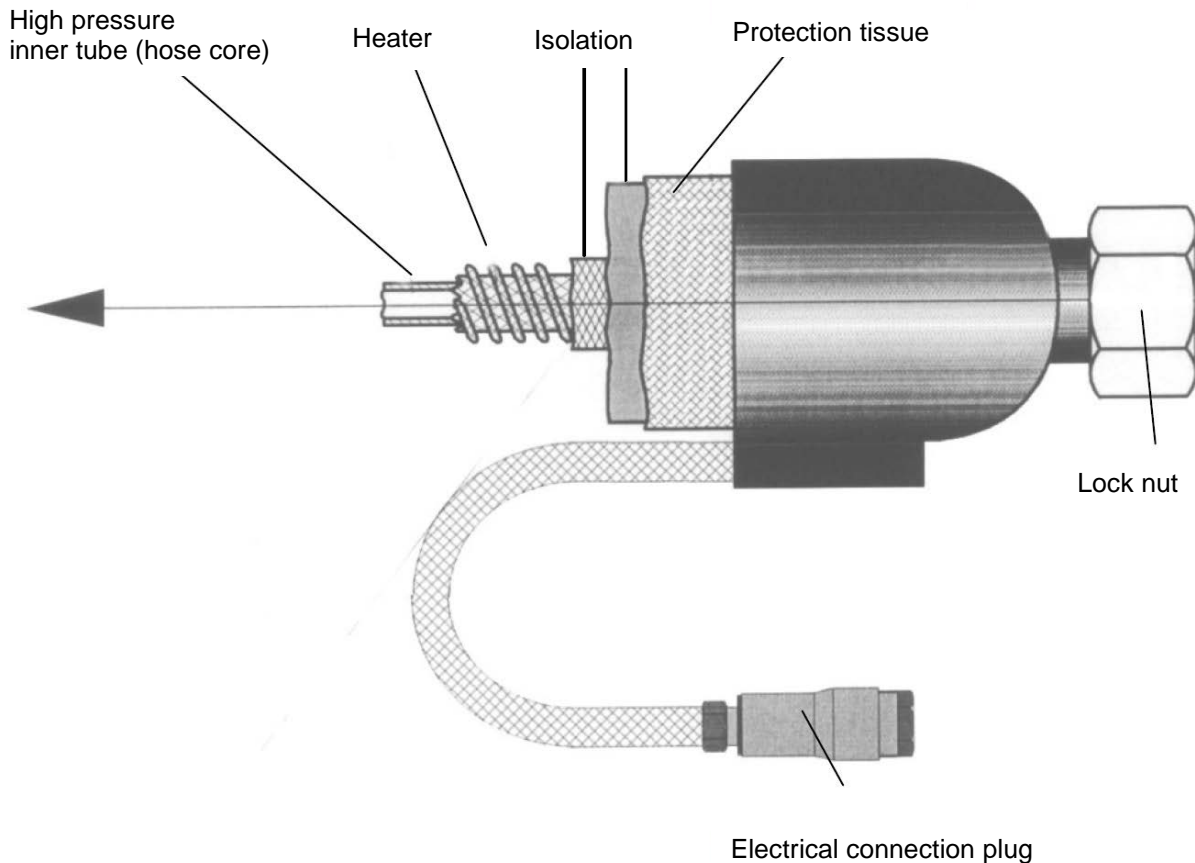
Description

Dynaflex hoses are electrically-heated, flexible adhesive supply hoses, designed for the transfer of hot melt material, e.g. adhesives, from an Adhesive Supply Unit (ASU) to an Applicator.

Hoses are heated by resistance heaters, which are wrapped around the hose core and covered with a high-temperature insulation. Hose temperature is regulated by the ASU's controller. A sensor located in the hose provides temperature information to the controller.

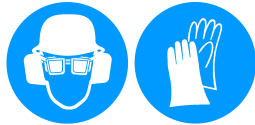
The max. operating pressure of the hoses is 1000 psi (69 bar). These hoses provide through wiring for power, sensor and chassis ground in the applicator. All DynaControl hoses feature PT-100 RTD sensors.

Washdown hose models are available. They consist of a standard hose, made water resistant with the addition of a seamless flexible sleeving, sealed end cuffs and liquid-tight electrical conduit and fittings.



2.3 Installation Instructions

Typical Installation



All work on or with this unit is only permitted for skilled personnel!
Heed all safety instructions mentioned in chapter 1.



Always wear safety shoes, heat-resistant protective gloves, safety goggles and protective clothing when working on or with the unit. Risk of burns and risk of injury!



Risk of electric shocks! Risk of injury, Mortal danger!

The hoses and ASU components are getting very hot during operation! Risk of burns!



The adhesive is very hot and pressurized! Risk of burns and risk of injury!
At working temperature, molten adhesive could cause heavy burns. Let spilled out adhesive cool down first, before removing it!



DANGER HIGH VOLTAGE

ITW Dynatec systems use electrical power that can be life threatening. Disconnect and lock out input power to the application system before connecting, disconnecting or troubleshooting any hose(s).



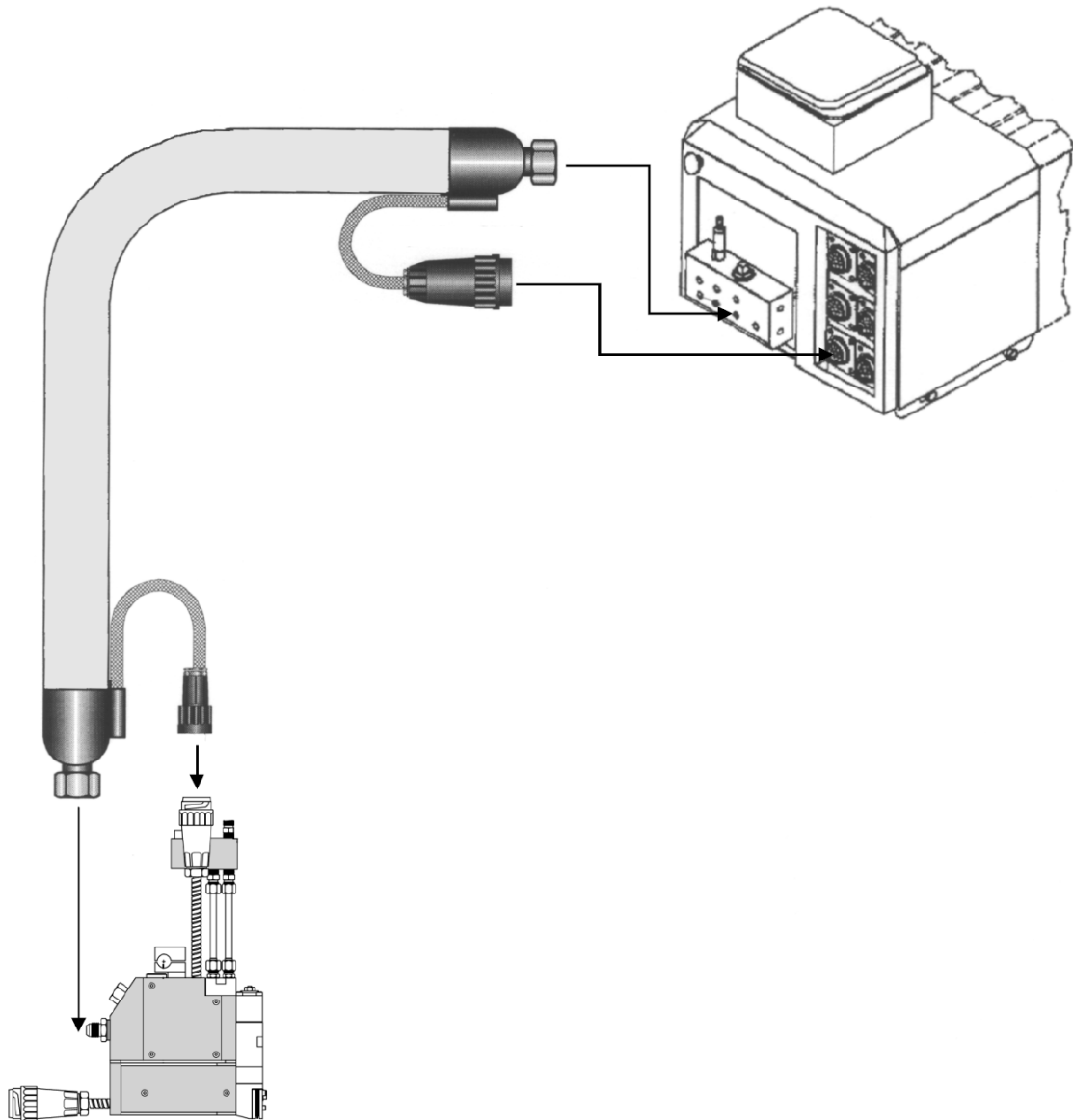
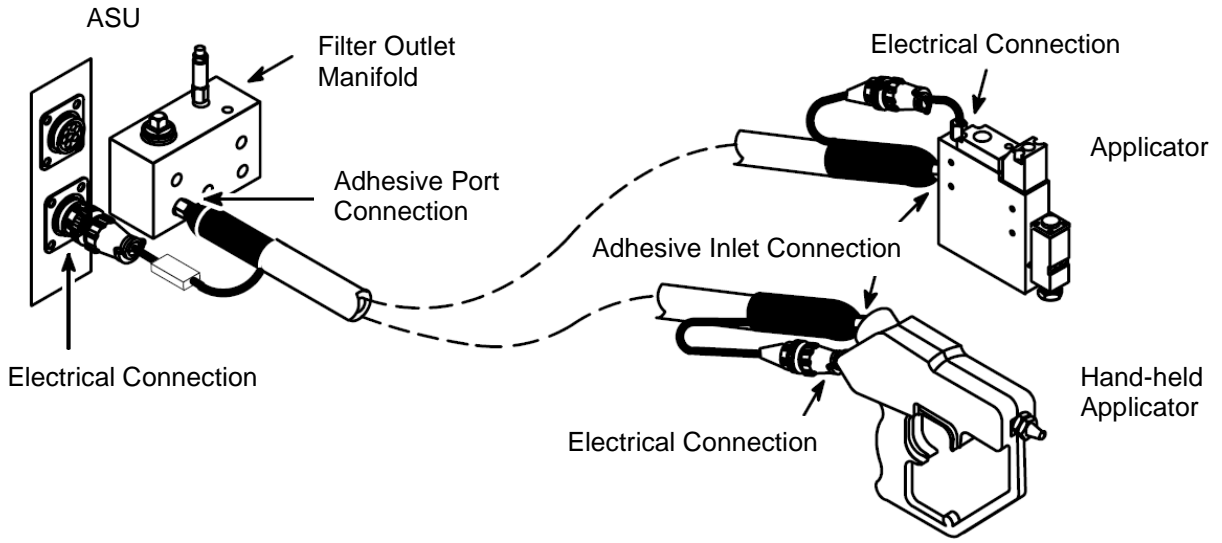
CAUTION

- Before installing any hose to an ASU, make sure the ASU's power switch is OFF.
- Connect hoses according to electrical schematics of the ASU.
- Never connect or disconnect plug-and-socket connections under load!
- When tightening hose swivel fittings, hold the hose and cuff to prevent the hose from rotating.
- If the hose is cold and contains adhesive, it may be damaged if bent. To avoid this, turn on power to the hoses and wait until the ASU's readout indicates that they are at operating temperature before routing them around surrounding machinery.
- Do not allow hose to be covered by machinery or by any type of solid conduit, pipe, tubing, etc.
- Refer to Chapter Hose Installation and Handling Guidelines on next pages.
- Route hoses heeding bend radius given in list in Chapter Hose Installation and Handling Guidelines on next pages. Do not hang hoses without proper support.
- **Maintain a minimum of 1/2" clearance between adjacent hoses.**
- **Do not crimp, clamp, squeeze or tie hoses.**
- **Do not bound and/or press hoses together and/or stacked one on the other.**
- Check all screw connections at the unit and retighten if necessary.
- Lay the cables and heated hoses so that no risk or least possible risk of stumbling occurs.

Refer to the adhesive application unit's manual for hose installation location, instructions and an illustration specific to your ASU.

Dynaflex hoses connect to the ASU with both an adhesive port connection on the filter outlet manifold and a 15-pin electrical connector. The opposite end of the hose connects to the applicator (head or handgun) with both an adhesive inlet connection and a 9-pin electrical connector.

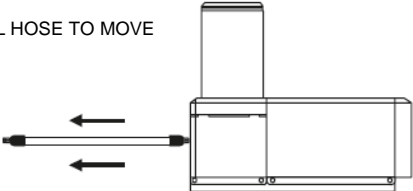
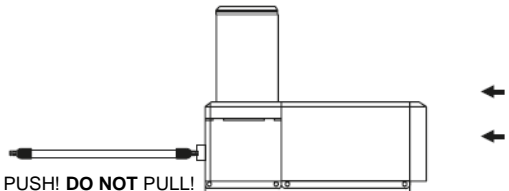
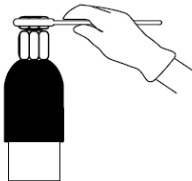

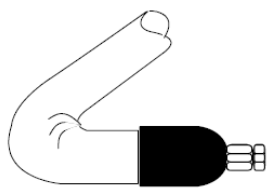
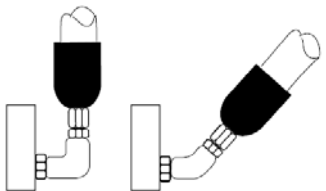
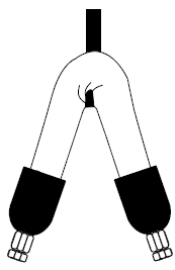
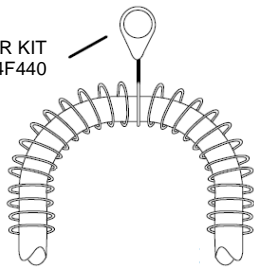
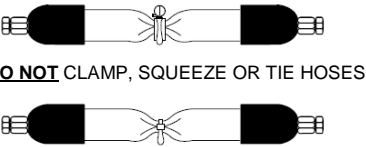
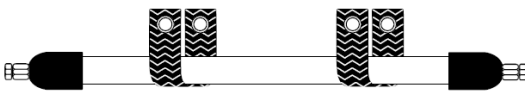
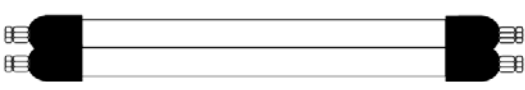
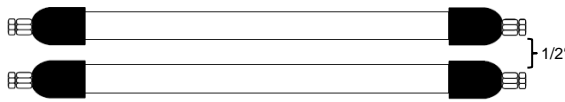
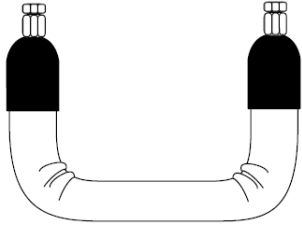
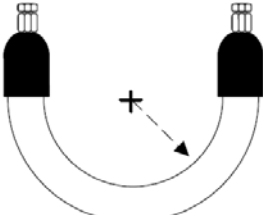
Refer to the Hose Installation Diagram on next page as a general guide.
Observe the cautions above when connecting and routing adhesive hoses.



Hose Installation Diagram: ASU to Automatic or Hand Applicator

Hose Installation and Handling Guidelines

Hose failure due to below listed "Wrong" practices will void hose warranty!

| WRONG | CORRECT | | | | | | | | | | | | | | | | | | |
|--|--|---------------|-----------|-------------|----|--------------|--------------|----|---------------|---------------|-----|---------------|---------------|-----|---------------|---------------|-----|----------------|---------------|
| <p>DO NOT PULL HOSE TO MOVE UNIT!</p>  |  <p>PUSH! DO NOT PULL!</p> | | | | | | | | | | | | | | | | | | |
| <p>DO NOT USE ONLY ONE WRENCH TO ADJUST FITTINGS!</p>  |  <p>ALLWAYS USE TWO WRENCHES TO ADJUST FITTINGS.</p> | | | | | | | | | | | | | | | | | | |
| <p>DO NOT BEND OR CRIMP HOSE BEYOND MINIMUM BEND RADIUS!</p>  |  <p>USE 45° HOSE FITTING (PN N07831) OR 90° HOSE FITTING (PN N07830) TO BEND HOSE.</p> | | | | | | | | | | | | | | | | | | |
|  <p>DO NOT HANG HOSE WITHOUT SUPPORT!</p> | <p>HOSE BALANCER KIT PN 084F440</p>  <p>USE HOSE SUPPORT WITH HOSE BALANCER KIT TO HANG HOSE.</p> | | | | | | | | | | | | | | | | | | |
|  <p>DO NOT CLAMP, SQUEEZE OR TIE HOSES!</p> |  <p>USE HOSE SUPPORTS (5-pack is PN 113342)</p> | | | | | | | | | | | | | | | | | | |
| <p>DO NOT SQUEEZE, PRESS OR TIE HOSES TOGETHER!</p>  | <p>ALLOW 1/2" MINIMUM SPACE BETWEEN HOSES.</p>  | | | | | | | | | | | | | | | | | | |
|  <p>DO NOT FLEX HOSES WHEN COLD!</p> | <p>ALLOW HOSES TO HEAT UP BEFORE FLEXING!</p>  <p>The minimum bend radius should be as follow:</p> <table border="1"> <thead> <tr> <th>Hose</th> <th>Hose Core</th> <th>Bend Radius</th> </tr> </thead> <tbody> <tr> <td>#6</td> <td>.313/ DN8</td> <td>8in/ 20cm</td> </tr> <tr> <td>#8</td> <td>.406/ DN10</td> <td>14in/ 35cm</td> </tr> <tr> <td>#12</td> <td>.625/ DN16</td> <td>16in/ 40cm</td> </tr> <tr> <td>#16</td> <td>.875/ DN20</td> <td>20in/ 50cm</td> </tr> <tr> <td>#24</td> <td>1.375/ DN32</td> <td>30in/ 75cm</td> </tr> </tbody> </table> | Hose | Hose Core | Bend Radius | #6 | .313/ DN8 | 8in/ 20cm | #8 | .406/ DN10 | 14in/ 35cm | #12 | .625/ DN16 | 16in/ 40cm | #16 | .875/ DN20 | 20in/ 50cm | #24 | 1.375/ DN32 | 30in/ 75cm |
| Hose | Hose Core | Bend Radius | | | | | | | | | | | | | | | | | |
| #6 | .313/ DN8 | 8in/ 20cm | | | | | | | | | | | | | | | | | |
| #8 | .406/ DN10 | 14in/ 35cm | | | | | | | | | | | | | | | | | |
| #12 | .625/ DN16 | 16in/ 40cm | | | | | | | | | | | | | | | | | |
| #16 | .875/ DN20 | 20in/ 50cm | | | | | | | | | | | | | | | | | |
| #24 | 1.375/ DN32 | 30in/ 75cm | | | | | | | | | | | | | | | | | |



CAUTION

- **DO NOT** attempt to turn the fitting on a hose with cold, non-melted adhesive inside; the hose core may be damaged.
- **DO NOT** allow hoses to come into contact with any liquids. If a hose becomes wet, it should be replaced immediately. (Washdown hoses are not subject to this requirement unless the waterproof sleeve is damaged.)
- **DO NOT** allow hoses to lay on cold surfaces as this may impede glue flow, cause a hose to operate above its temperature set point and reduce the efficiency and life of a hose.
- **DO NOT** allow hoses to be exposed to surfaces that may cause abrasive wear. If a hose shows abrasive wear, it may have internal damage that may result in erratic operation, injury and damage to equipment due to exposed electrical wires, burning or fire.
- **Failure to follow installation and handling guidelines WILL void the hose warranty, reduce the life of the hose and may result in injury and damage to equipment resulting from char, burning or fire.**

2.4 To Disconnect Hose from ASU or Applicator



WARNING HIGH PRESSURE, HOT ADHESIVE RISK OF BURNS AND INJURY!

- Always wear heat-resistant protective gloves, safety goggles (or face shield) and protective clothing!
- Parts of the unit can be hot long after switching off. Molten adhesives at operating temperature could cause heavy burns.
- Do not touch the hot surfaces or parts without wearing heat-resistant protective gloves!
- **Never attempt to disconnect a hose from its adhesive port without first assuring that all system pressure has been relieved.**
- **When disconnecting a hose or hose cap, hot adhesive can escape from both the manifold and from the end of the hose under high pressure. Stand clear until all pressure is relieved.**

Effect following steps to disconnect a hose from ASU or Applicator:

1. Before disconnecting a hose, turn the ASU's pump/motor OFF.
2. Then activate the applicator to relieve adhesive pressure in the system.
3. Disconnect the hose.

Chapter 3

Troubleshooting

Hose Troubleshooting Tip

Hose problems can be isolated by electrically connecting the hose to an alternate socket on the ASU. If the malfunction goes with the hose, the problem will usually be in the hose that was moved. If the malfunction does not move with the hose, the problem is probably in the ASU.

Troubleshooting Heaters and RTD Sensors in Dynaflex Hoses



DANGER HIGH VOLTAGE

Disconnect and lock out input power to the application system before proceeding with these instructions.

The Hoses and Adhesive Supply Unit use electrical power that can be life threatening and hot-melt adhesives that can cause serious burns.

All troubleshooting procedures must be performed by qualified, trained technicians. Please re-read all security advices given in Chapter 1 before performing any troubleshooting procedures.



WARNING! HIGH PRESSURE, HOT ADHESIVE!

Some of the procedures in the following Troubleshooting Guide require working near hot adhesive. Severe burns can occur if unprotected skin comes in contact with molten adhesive or hot application system parts.

When disconnecting a hose or hose cap, hot adhesive can escape from both the manifold and from the end of the hose under high pressure. Stand clear until all pressure is relieved.

Face shields (preferred) or safety glasses (for minimum protection), heat-resistant protective gloves and long-sleeved clothing must be worn whenever working with or around adhesive application systems.

Troubleshooting Guide**Preliminary Checks**

Verify the following before proceeding:

- All pneumatic and electrical connections are correct.
- The ASU is supplied with power and the main power switch is ON.
- Adhesive is in the hopper and the ASU's pump is ON.
- The ASU and Applicator have sufficient air pressure.
- The temperature controller is in operation. The setpoints are correct for the application, ASU, Heated Hoses and Applicators. All components are heating properly.

| Problem | Possible Cause | Solution |
|--|--|--|
| Hose does not reach operating temperature. | <ol style="list-style-type: none"> 1. Temperature adjustment on DynaControl is not correct. 2. Connector from hose to ASU is not plugged on correctly. 3. Heater in hose defect. 4. Temperature sensor defect. 5. Mechanical damage to the hose insulating. 6. Standby on DynaControl activated. | <ol style="list-style-type: none"> 1. Check temperature adjustment and adjust if necessary. 2. Check connector. 3. Check heater. 4. Check temperature sensor. 5. Check hose and replace if necessary. 6. Activate operating temperature. |
| No adhesive flowing out of hose. | <ol style="list-style-type: none"> 1. Hose has kinks. 2. Adhesive pressure too low. | <ol style="list-style-type: none"> 1. Check hose if kinked. 2. Check operating temperature and pressure adjustment. |

Measuring Resistance

The ITW Dynatec's adhesive hoses are designed with built-in heater and sensor backups to aid the user in the event of a failure in these two components.

Follow the following procedure to determine if the failure of a hose is due to a faulty heater or RTD sensor.

1. Make sure that incoming line power to the ASU and that the unit's Main Power Switch are turned OFF.
2. Disconnect hose from ASU or applicator following the instructions outlined on the previous page.
3. Test resistance using the pins within the hose connector:
 - a. **To determine RTD sensor failure:**
 - The temperature sensor in Dynacontrol hoses is a 100 Ohm platinum RTD. The temperature coefficient is 0.00385 Ohms/ Ohm/ °C.
 - When temperature sensor resistance is being verified, refer to the Resistance Table on next pages.
 - The resistance value (Ohms) of your temperature sensor depends on the temperature of the sensor at the time it is being tested.
 - With an ohmmeter, contact pins 9 and 10 and measure resistance. A tolerance range of ± 5% is allowed.
 - Refer to the ASU service manual for system wattage limitations.

b. To determine heater failure:

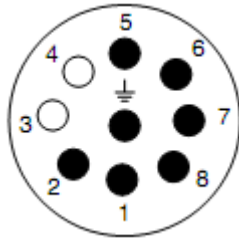
- With an ohmmeter, contact pins 11 and 12 and measure resistance. Heater circuit resistance is listed on the red hose warranty tag attached to the adhesive supply unit end of the power cord. A tolerance range of ± 10% is allowed.
- The resistance value (Ohms) of your heater cartridge may be calculated using the formula:

$$\frac{\text{Voltage}^2 \text{ (Volts}^2\text{)}}{\text{Power (Watts)}} = \text{Resistance (Ohm)}$$

Circular plug

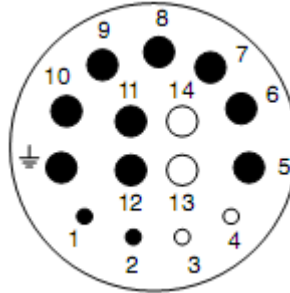
The connectors shown from the front:

female



- 1 trigger
- 2 trigger
- 3 NC
- 4 NC
- 5 head sensor
- 6 head sensor
- 7 head heater
- 8 head heater
- ⊥ ground

male



- 1 trigger
- 2 trigger
- 3 NC
- 4 NC
- 5 head sensor
- 6 head sensor
- 7 head heater
- 8 head heater
- 9 hose sensor
- 10 hose sensor
- 11 hose heater
- 12 hose heater
- 13 NC
- 14 NC
- ⊥ ground

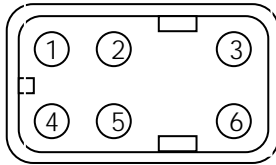
Resistance Table Temperature Sensor PT100 RTD IEC 751 / DIN EN 60751

| Temp. °C | Resistance in Ω | | | | | | | | | |
|-------------|-----------------|--------|--------|--------|--------|--------|--------|--------|--------|--------|
| | 0 | 1 | 2 | 3 | 4 | 5 | 6 | 7 | 8 | 9 |
| 20 | 107,79 | 108,18 | 108,57 | 108,96 | 109,35 | 109,73 | 110,12 | 110,51 | 110,90 | 111,28 |
| 30 | 111,67 | 112,06 | 112,45 | 112,83 | 113,22 | 113,61 | 113,99 | 114,38 | 114,77 | 115,15 |
| 40 | 115,54 | 115,93 | 116,31 | 116,70 | 117,08 | 117,47 | 117,85 | 118,24 | 118,62 | 119,01 |
| 50 | 119,40 | 119,78 | 120,16 | 120,55 | 120,93 | 121,32 | 121,70 | 122,09 | 122,47 | 122,86 |
| 60 | 123,24 | 123,62 | 124,01 | 124,39 | 124,77 | 125,16 | 125,54 | 125,92 | 126,31 | 126,69 |
| 70 | 127,07 | 127,45 | 127,84 | 128,22 | 128,60 | 128,98 | 129,37 | 129,75 | 130,13 | 130,51 |
| 80 | 130,89 | 131,27 | 131,66 | 132,04 | 132,42 | 132,80 | 133,18 | 133,56 | 133,94 | 134,32 |
| 90 | 134,70 | 135,08 | 135,46 | 135,84 | 136,22 | 136,60 | 136,98 | 137,36 | 137,74 | 138,12 |
| 100 | 138,50 | 138,88 | 139,26 | 139,64 | 140,02 | 140,39 | 140,77 | 141,15 | 141,53 | 141,91 |
| 110 | 142,29 | 142,66 | 143,04 | 143,42 | 143,80 | 144,17 | 144,55 | 144,93 | 145,31 | 145,68 |
| 120 | 146,06 | 146,44 | 146,81 | 147,19 | 147,57 | 147,94 | 148,32 | 148,70 | 149,07 | 149,45 |
| 130 | 149,82 | 150,20 | 150,57 | 150,95 | 151,33 | 151,70 | 152,08 | 152,45 | 152,83 | 153,20 |
| 140 | 153,58 | 153,95 | 154,32 | 154,70 | 155,07 | 155,45 | 155,82 | 156,19 | 156,57 | 156,94 |
| 150 | 157,31 | 157,69 | 158,06 | 158,43 | 158,81 | 159,18 | 159,55 | 159,93 | 160,30 | 160,67 |
| 160 | 161,04 | 161,42 | 161,79 | 162,16 | 162,53 | 162,90 | 163,27 | 163,65 | 164,02 | 164,39 |
| 170 | 164,76 | 165,13 | 165,50 | 165,87 | 166,24 | 166,61 | 166,98 | 167,35 | 167,72 | 168,09 |
| 180 | 168,46 | 168,83 | 169,20 | 169,57 | 169,94 | 170,31 | 170,68 | 171,05 | 171,42 | 171,79 |
| 190 | 172,16 | 172,53 | 172,90 | 173,26 | 173,63 | 174,00 | 174,37 | 174,74 | 175,10 | 175,47 |
| 200 | 175,84 | 176,21 | 176,57 | 176,94 | 177,31 | 177,68 | 178,04 | 178,41 | 178,78 | 179,14 |
| 210 | 179,51 | 179,88 | 180,24 | 180,61 | 180,97 | 181,34 | 181,71 | 182,07 | 182,44 | 182,80 |

Rectangular plug

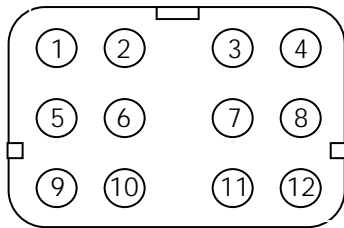
The connectors shown from the front:

female



- 1 ground
- 2 Ni 120, head sensor
- 3 head heater
- 4 Ni 120, head sensor
- 5 NC
- 6 head heater

male



- 1 head heater
- 2 head heater
- 3 Ni 120, head sensor
- 4 hose heater
- 5 NC
- 6 hose heater
- 7 ground
- 8 Ni 120, hose sensor
- 9 NC
- 10 NC
- 11 Ni 120, hose sensor
- 12 Ni 120, head sensor

Resistance Table Temperature Sensor Ni120 RTD

| Temp. °C | Resistance in Ω | | | | | | | | | | |
|-------------|-----------------|-------|-------|-------|-------|-------|-------|-------|-------|-------|-------|
| | 0 | 1 | 2 | 3 | 4 | 5 | 6 | 7 | 8 | 9 | 10 |
| 0 | 120,0 | 120,7 | 121,4 | 122,1 | 122,9 | 123,6 | 124,3 | 125,0 | 125,7 | 126,4 | 127,2 |
| 10 | 127,2 | 127,9 | 128,6 | 129,4 | 130,1 | 130,8 | 131,6 | 132,3 | 133,0 | 133,8 | 134,5 |
| 20 | 134,5 | 135,3 | 136,0 | 136,8 | 137,5 | 138,3 | 139,0 | 139,8 | 140,5 | 141,3 | 142,1 |
| 30 | 142,1 | 142,8 | 143,6 | 144,4 | 145,1 | 145,9 | 146,7 | 147,5 | 148,2 | 149,0 | 149,8 |
| 40 | 149,8 | 150,6 | 151,4 | 152,2 | 153,0 | 153,8 | 154,5 | 155,3 | 156,1 | 156,9 | 157,8 |
| 50 | 157,8 | 158,6 | 159,4 | 160,2 | 161,0 | 161,8 | 162,6 | 163,4 | 164,3 | 165,1 | 165,9 |
| 60 | 165,9 | 166,7 | 167,6 | 168,4 | 169,2 | 170,1 | 170,9 | 171,7 | 172,6 | 173,4 | 174,3 |
| 70 | 174,3 | 175,1 | 176,0 | 176,8 | 177,7 | 178,5 | 179,4 | 180,3 | 181,1 | 182,0 | 182,9 |
| 80 | 182,9 | 183,7 | 184,6 | 185,5 | 186,3 | 187,2 | 188,1 | 189,0 | 189,9 | 190,8 | 191,6 |
| 90 | 191,6 | 192,5 | 193,4 | 194,3 | 195,2 | 196,1 | 197,0 | 197,9 | 198,8 | 199,7 | 200,6 |
| 100 | 200,6 | 201,6 | 202,5 | 203,4 | 204,3 | 205,2 | 206,1 | 207,1 | 208,0 | 208,9 | 209,9 |
| 110 | 209,9 | 210,8 | 211,7 | 212,7 | 213,6 | 214,5 | 215,5 | 216,4 | 217,4 | 218,3 | 219,3 |
| 120 | 219,3 | 220,3 | 221,2 | 222,2 | 223,1 | 224,1 | 225,1 | 226,0 | 227,0 | 228,0 | 229,0 |
| 130 | 229,0 | 229,9 | 230,9 | 231,9 | 232,9 | 233,9 | 234,9 | 235,9 | 236,8 | 237,8 | 238,8 |
| 140 | 238,8 | 239,8 | 240,8 | 241,9 | 242,9 | 243,9 | 244,9 | 245,9 | 246,9 | 247,9 | 249,0 |
| 150 | 249,0 | 250,0 | 251,0 | 252,0 | 253,1 | 254,1 | 255,1 | 256,2 | 257,2 | 258,3 | 259,3 |
| 160 | 259,3 | 260,3 | 261,4 | 262,5 | 263,5 | 264,6 | 265,6 | 266,7 | 267,8 | 268,8 | 269,9 |
| 170 | 269,9 | 271,0 | 272,1 | 273,1 | 274,2 | 275,3 | 276,4 | 277,5 | 278,6 | 279,7 | 280,8 |
| 180 | 280,8 | 281,9 | 283,0 | 284,1 | 285,2 | 286,3 | 287,4 | 288,6 | 289,7 | 290,8 | 292,0 |
| 190 | 292,0 | 293,1 | 294,2 | 295,4 | 296,5 | 297,7 | 298,8 | 300,0 | 301,1 | 302,3 | 303,5 |
| 200 | 303,5 | 304,6 | 305,8 | 307,0 | 308,2 | 309,3 | 310,5 | 311,7 | 312,9 | 314,1 | 315,3 |
| 210 | 315,3 | 316,5 | 317,7 | 318,9 | 320,2 | 321,4 | 322,6 | 323,8 | 325,1 | 326,3 | 327,5 |
| 220 | 327,5 | 328,8 | 330,0 | 331,3 | 332,5 | 333,8 | 335,1 | 336,3 | 337,6 | 338,9 | 340,1 |
| 230 | 340,1 | 341,4 | 342,7 | 344,0 | 345,3 | 346,6 | 347,9 | 349,2 | 350,5 | 351,8 | 353,1 |
| 240 | 353,1 | 354,5 | 355,8 | 357,1 | 358,5 | 359,8 | 361,1 | 362,5 | 363,8 | 365,2 | 366,5 |

This page intentionally left blank.

Chapter 4

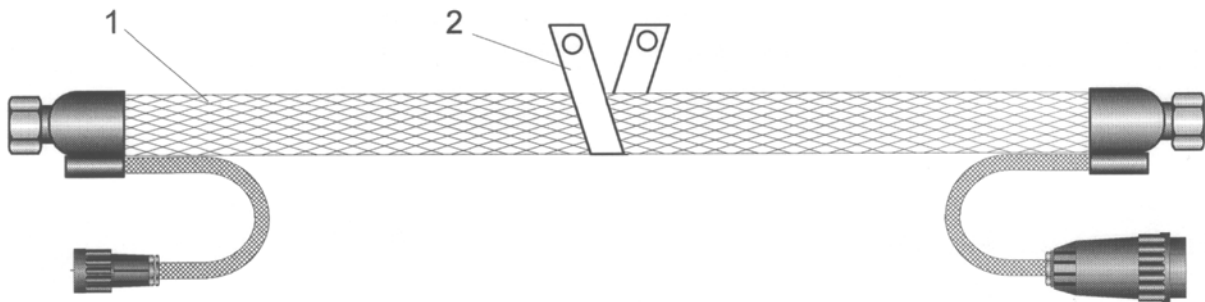
Available Options & Accessories

Typical Dynaflex DynaControl Hoses

The following hose charts list part numbers (PN), length, resistance, voltage and wattage of the most commonly-used Dynaflex DynaControl (DCL) hoses.

Standard Hoses, #6 (0.313" ID / DN8) for *Dynamini, Dynamelt S, D & M Series DCL ASU*

| Hose PN | Length | | Heater Wire Resistance Min./ Max. Ohms | Nominal Wattage at 240 V (AC) | Nominal Wattage at 230 V (AC) |
|---------|--------|------|---|----------------------------------|----------------------------------|
| | Meters | Feet | | | |
| 102137 | 0.6 | 2 | 790 - 927 | 67 W | 62 W |
| 101083 | 1.2 | 4 | 466 - 544 | 114 W | 105 W |
| 101084 | 1.8 | 6 | 279 - 326 | 190 W | 175 W |
| 101085 | 2.4 | 8 | 236 - 275 | 225 W | 207 W |
| 101086 | 3.1 | 10 | 189 - 221 | 281 W | 258 W |
| 101087 | 3.7 | 12 | 155 - 181 | 342 W | 315 W |
| 101088 | 4.9 | 16 | 118 - 137 | 452 W | 413 W |
| 102138 | 6 | 20 | 95.6 - 112 | 555 W | 509 W |
| 101089 | 7.3 | 24 | 77.3 - 90.2 | 688 W | 630 W |



| Item | PN | Description |
|------|----------|--|
| 1 | Optional | Hose |
| 2 | 113342 | Hanger strap kit (it consists of five hanger straps) |

Hoses, #6 (0.313" ID / DN8) for Dynamini DCL ASU, 120V:

| Hose PN | Length | | Heater Wire Resistance Min./ Max. Ohms | Nominal Wattage at 120 V (AC) |
|---------|--------|------|---|----------------------------------|
| | Meters | Feet | | |
| 105951 | 0.6 | 2 | 219 - 256 | 61 W |
| 102437 | 1.2 | 4 | 115 - 134 | 116 W |
| 102438 | 1.8 | 6 | 76.1 - 88.8 | 137 W |
| 102439 | 2.4 | 8 | 58.1 - 67.8 | 229 W |
| 102440 | 3.1 | 10 | 47.3 - 55.2 | 281 W |
| 102441 | 3.7 | 12 | 38.3 - 44.7 | 347 W |
| 109483 | 4.9 | 16 | 29.8 - 34.8 | 446 W |

Hoses, #6 (0.313" ID / DN8) for Dynamelt S & D Series and Dynamini DCL ASU, 200V:

| Hose PN | Length | | Heater Wire Resistance Min./ Max. Ohms | Nominal Wattage at 200 V (AC) |
|---------|--------|------|---|----------------------------------|
| | Meters | Feet | | |
| 109895 | 0.6 | 2 | 539 - 629 | 69 W |
| 109896 | 1.2 | 4 | 316 - 369 | 117 W |
| 109897 | 1.8 | 6 | 213 - 249 | 173 W |
| 109898 | 2.4 | 8 | 150 - 176 | 245 W |
| 109899 | 3.1 | 10 | 129 - 151 | 286 W |
| 109900 | 3.7 | 12 | 109 - 127 | 339 W |
| 109901 | 4.9 | 16 | 76.2 - 88.9 | 485 W |
| 109903 | 6 | 20 | 64.3 - 75.1 | 574 W |
| 109904 | 7.3 | 24 | 54.3 - 63.4 | 680 W |

Hoses, #8 (0.406" ID / DN10) for DCL (Optional for Dynamelt M Series ASUs only):

Also requires a PN 103949 Fitting (8 JIC)

| Hose PN | Length | | Heater Wire Resistance Min./ Max. Ohms | Nominal Wattage at 240 V (AC) | Nominal Wattage at 230 V (AC) |
|---------|--------|------|---|----------------------------------|----------------------------------|
| | Meters | Feet | | | |
| 103316 | 1.2 | 4 | 301 - 351 | 177 W | 162 W |
| 103317 | 1.8 | 6 | 206 - 241 | 258 W | 236 W |
| 103318 | 2.4 | 8 | 161 - 178 | 340 W | 311 W |
| 103319 | 3.1 | 10 | 126 - 147 | 422 W | 386 W |
| 103320 | 3.7 | 12 | 103 - 121 | 514 W | 472 W |
| 103321 | 5.5 | 18 | 67.9 - 79.3 | 783 W | 715 W |
| 103322 | 7.3 | 24 | 52.8 - 61.6 | 1007 W | 928 W |
| 106030 | 9.1 | 30 | 40.0 - 46.6 | 1330 W | 1230 W |
| 106031 | 11 | 36 | 33.2 - 38.8 | 1600 W | 1469 W |
| 106176 | 12 | 40 | 30.8 - 35.9 | 1727 W | 1603 W |

Hoses #12 (0.625" ID / DN16) for DCL (Optional for Dynamelt M Series ASUs only):
PN 110901 Fitting is available for high flow applications.

| Hose PN | Length | | Heater Wire Resistance Min./ Max. Ohms | Nominal Wattage at 240 V (AC) | Nominal Wattage at 230 V (AC) |
|---------|--------|------|---|----------------------------------|----------------------------------|
| | Meters | Feet | | | |
| 105236 | 1.8 | 6 | 179 - 208 | 298 W | 273 W |
| 105237 | 2.4 | 8 | 169 - 187 | 324 W | 297 W |
| 105238 | 3.1 | 10 | 148 - 164 | 369 W | 339 W |
| 105239 | 3.7 | 12 | 119 - 132 | 459 W | 720 W |
| 106363 | 4.3 | 14 | 89.7 - 99.1 | 610 W | 563 W |
| 105240 | 5.5 | 18 | 66.8 - 73.9 | 819 W | 756 W |
| 105241 | 7.3 | 24 | 56.7 - 62.7 | 965 W | 882 W |

Hoses #6 (0.313" ID / DN8) for DCL (Optional for Dynamelt M Series ASUs only):

| Hose PN | Length | | Heater Wire Resistance Min./ Max. Ohms | Nominal Wattage at 200/ 240 V (AC) (for 1. / 2. Voltage) | Nominal Wattage at 230 V (AC) |
|---------|--------|------|---|--|----------------------------------|
| | Meters | Feet | | | |
| 105187 | 9.1 | 30 | 56.2 - 65.6 | 659 / 946 W | 867 W |
| 106216 | 11 | 36 | 51.9 - 60.5 | 712 / 1025 W | 945 W |
| 105601 | 12 | 40 | 45.4 - 53.0 | 813 / 1171 W | 1080 W |

Spray (Swirl) Hoses #6 (0.313" ID / DN8) for Standard Dynamini, Dynamelt S, D & M Series DCL ASUs, 200/240V

| Hose PN | Length | | Heater Wire Resistance Min./ Max. Ohms | Nominal Wattage at 200/ 240 V (AC) (for 1. / 2. Voltage) | Nominal Wattage at 230 V (AC) |
|---------|--------|------|---|--|----------------------------------|
| | Meters | Feet | | | |
| 102173 | 2.4 | 8 | 236 - 275 | 156 / 225 W | 207 W |
| 102174 | 3.1 | 10 | 189 - 221 | 195 / 281 W | 258 W |
| 102175 | 3.7 | 12 | 155 - 181 | 270 / 343 W | 315 W |
| 102176 | 4.9 | 16 | 118 - 137 | 314 / 452 W | 413 W |
| 102177 | 6 | 20 | 95.6 - 112 | 385 / 555 W | 509 W |
| 102178 | 7.3 | 24 | 77.3 - 90.2 | 478 / 688 W | 630 W |

Spray (Swirl) Hoses #6, (0.313" ID / DN8) for Dynamini DCL ASUs, 100/120V

| Hose PN | Length | | Heater Wire Resistance Min./ Max. Ohms | Nominal Wattage at 100/ 120 V (AC) (for 1. / 2. Voltage) |
|---------|--------|------|---|--|
| | Meters | Feet | | |
| 102442 | 2.4 | 8 | 58.1 - 67.8 | 159 / 229 W |
| 102443 | 3.1 | 10 | 47.3 - 55.2 | 195 / 281 W |
| 102444 | 3.7 | 12 | 38.3 - 44.7 | 241 / 347 W |
| 112911 | 6 | 20 | 22.6 - 26.4 | 408 / 588 W |

Abrasion Resistant DynaControl Hoses, #6 (0.313" ID / DN8)

| Length | | PN for 120V Bead Applicator | PN for 120V Spray Applicator | PN for 200/240V Bead Applicator | PN for 200/240V Spray Applicator |
|--------|------|--------------------------------|---------------------------------|------------------------------------|-------------------------------------|
| Meters | Feet | | | | |
| 1.8 | 6 | 104633 | n.a. | 104561 | n.a. |
| 2.4 | 8 | 104634 | 104637 | 104562 | 104640 |
| 3.1 | 10 | 104635 | 104638 | 104563 | 104641 |
| 3.7 | 12 | 104636 | 104639 | 104564 | 104642 |
| 4.9 | 16 | n.a. | n.a. | 104565 | 104643 |
| 6 | 20 | 112912 | 112913 | 104566 | 104644 |
| 7.3 | 24 | n.a. | n.a. | 104567 | 104645 |

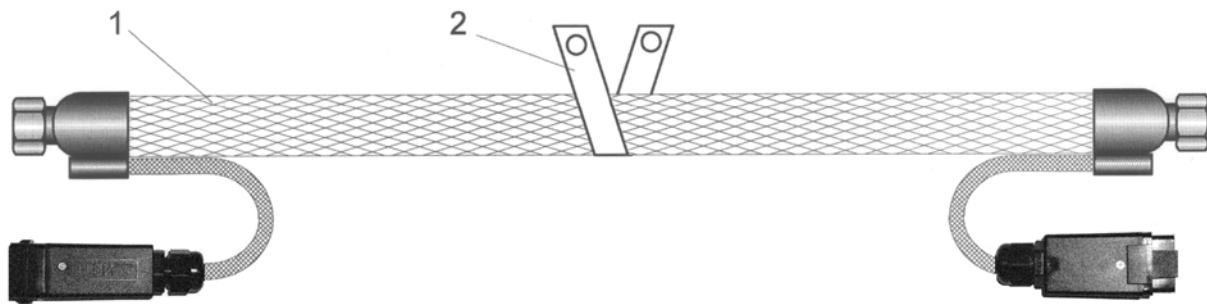
* n.a. = not available.

Washdown DCL Hoses, #6 (0.313" ID / DN8)

| Hose PN | Length | | Heater Wire Resistance Min./ Max. Ohms | Nominal Wattage at 200/ 240 V (AC) (for 1. / 2. Voltage) | Nominal Wattage at 230 V (AC) |
|------------|--------|------|---|--|----------------------------------|
| | Meters | Feet | | | |
| 105089 | 0.6 | 2 | 790 - 921 | 47 / 67 W | 62 W |
| 105133 | 1.2 | 4 | 466 - 544 | 79 / 114 W | 105 W |
| 103710 | 1.8 | 6 | 279 - 326 | 132 / 190 W | 175 W |
| 103711 | 2.4 | 8 | 236 - 275 | 157 / 225 W | 207 W |
| 103712 | 3.1 | 10 | 189 - 221 | 195 / 281 W | 258 W |
| 103713 | 3.7 | 12 | 155 - 181 | 238 / 342 W | 315 W |
| 103714 | 4.9 | 16 | 118 - 137 | 314 / 452 W | 413 W |
| 103716 | 6 | 20 | 95.3 - 112 | 385 / 555 W | 509 W |
| 103717 | 7.3 | 24 | 77.1 - 90.2 | 478 / 688 W | 630 W |

Challenger Hoses (0.313" ID / DN8), Sensor Ni 120

| Hose PN | Length | | Heater Wire Resistance Min./ Max. Ohms | Nominal Wattage at 240 V (AC) | Nominal Wattage at 230 V (AC) |
|---------|--------|------|---|----------------------------------|----------------------------------|
| | Meters | Feet | | | |
| 100120 | 1.2 | 4 | 466 – 544 | 114 W | 105 W |
| 100121 | 1.8 | 6 | 279 – 326 | 190 W | 175 W |
| 100122 | 2.4 | 8 | 236 – 275 | 225 W | 207 W |
| 100123 | 3.1 | 10 | 189 – 221 | 281 W | 258 W |
| 100124 | 3.7 | 12 | 155 – 181 | 343 W | 315 W |
| 100125 | 4.9 | 16 | 118 – 137 | 450 W | 413 W |
| 107842 | 6 | 20 | 95.6 – 112 | 554 W | 509 W |
| 100126 | 7.3 | 24 | 77.3 – 90.2 | 686 W | 630 W |
| 107843 | 9.2 | 30 | 56.2 – 65.5 | 944 W | 867 W |



| Item | PN | Description |
|------|----------|--|
| 1 | Optional | Hose |
| 2 | 113342 | Hanger strap kit (it consists of five hanger straps) |

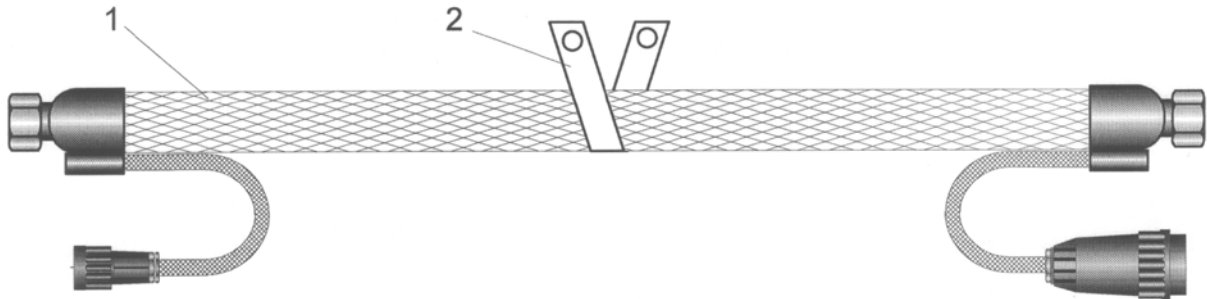
Spray (Swirl) Air Regulator Kit

An air control kit, consisting of a regulator and a choice of three solenoid valves (see chart below) is available for swirl applications. To order, specify both regulator and solenoid valve part numbers.

| PN | Description | Voltage |
|---|---------------------------------|---------|
| 084M008 | Regulator | - |
| Select one of the following solenoid valves: | | |
| 030A014 | Pneumatic solenoid valve, 3 way | 120 V |
| 030A013 | Pneumatic solenoid valve, 3 way | 240 V |
| 030A016 | Pneumatic solenoid valve, 3 way | 24 V |

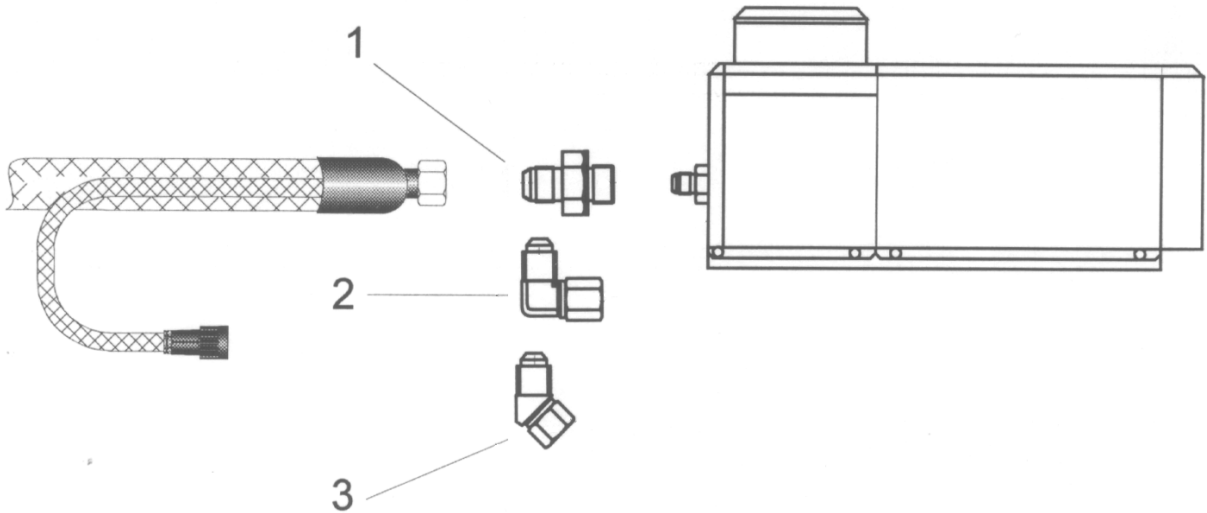
Hanger Strap Kit PN 113342

In applications where a hose is routed through or over a machine, straps may be used to suspend it to prevent the hose from laying on the ground or on machinery. Nylon hanger straps are recommended, set at an interval of every four feet. The strap kit consists of five hanger straps.



| Item | PN | Description |
|------|----------|--|
| 1 | Optional | Hose |
| 2 | 113342 | Hanger strap kit (it consists of five hanger straps) |

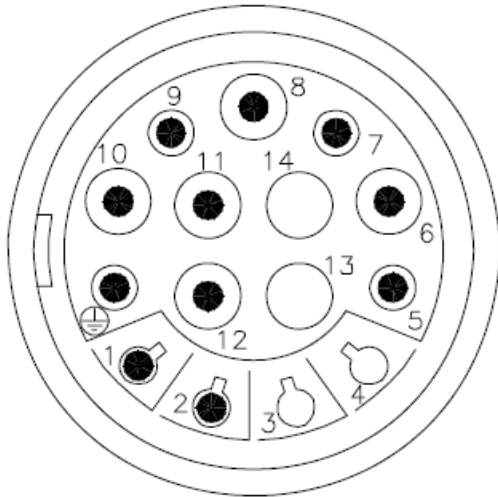
Accessories



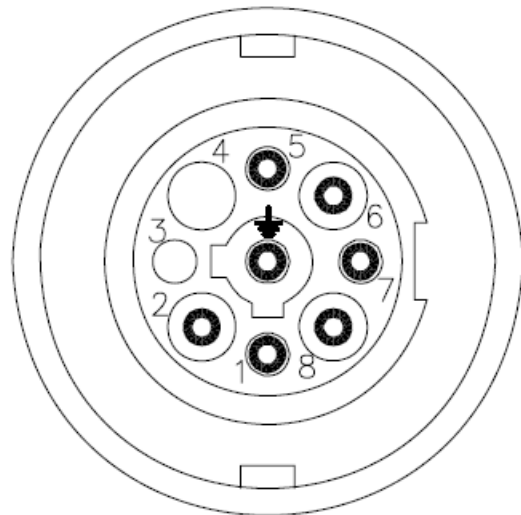
| Item | PN | Description |
|------|--------------------------|--|
| 1 | 101624 (07.00600.120) | Connection socket, straight G1/4 – 9/16-UNFG UNF |
| 2 | N07831 | Elbow union 90°, 9/16G UNF (DN8) |
| 3 | N07830 | Elbow union 45°, 9/16G UNF (DN8) |
| | 07.08945.102 | Swivel union 45°, NW8, adjustable |
| | 07.08990.102 | Swivel union 90°, NW8, adjustable |

Chapter 5 Schematics

Pin Connectors for Dynaflex Hose



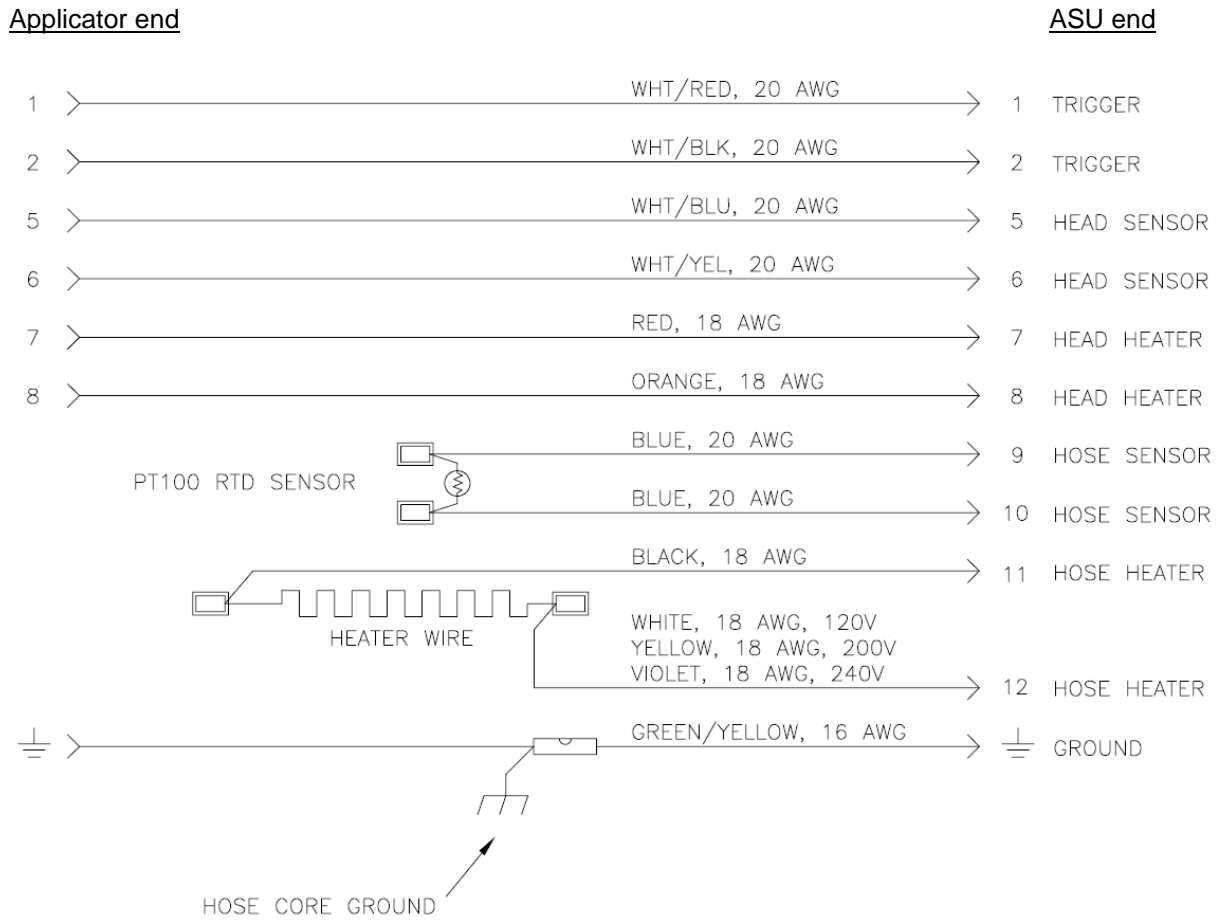
15-pin connector
ASU end of hose



9-pin connector
Applicator end of hose

Illustration: Pin Connectors for Dynaflex Hoses

Schematics 101082-G: DynaControl Hoses



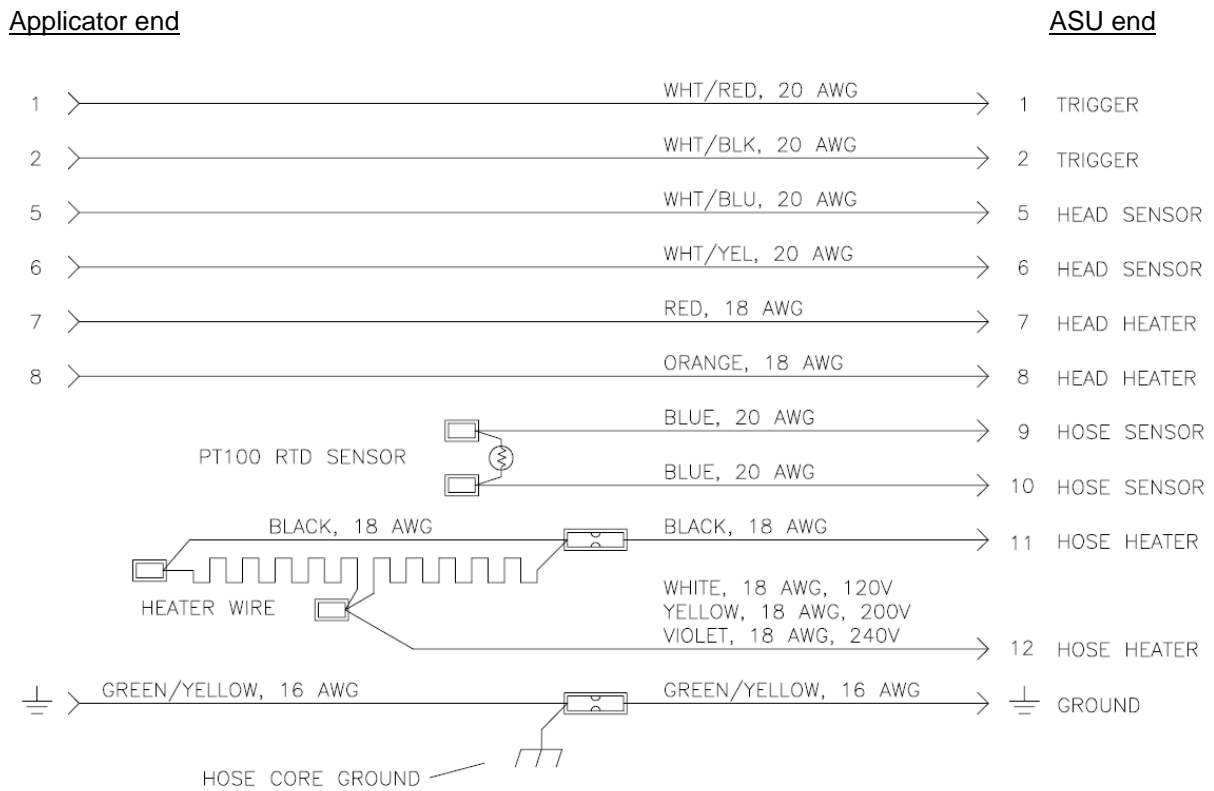
NOTES:

1. All wiring is routed through the hose.
2. Wire sizes shown are for no. 6 and no. 8 hoses up to 24 ft (730 cm) in length. For larger diameter and longer hoses, heater lead wires are 16 AWG. Other wire sizes and colors may be changed in special hoses per customer request.

Schematics 101082-G: DynaControl Hoses

Schematic 112633, Rev.A: DynaControl 2-Heater Hoses

Used on longer hoses (over 45 feet) and on the #8 8ft. hose



NOTES:

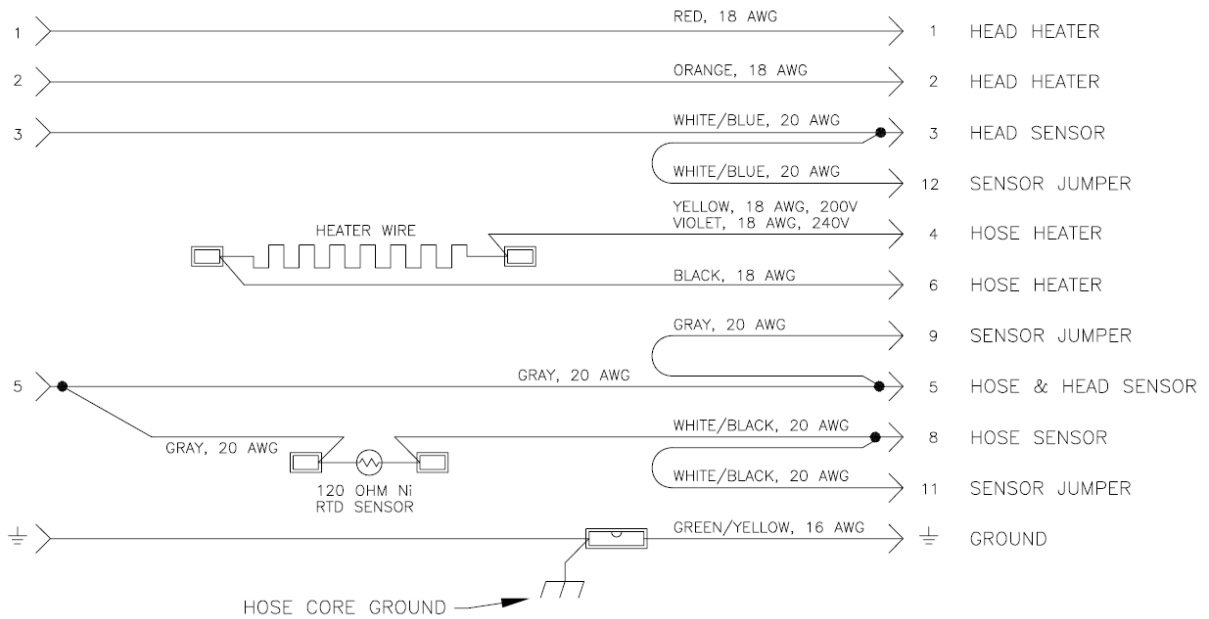
1. All wiring is routed through the hose.
2. The heater wire circuit is divided into two separate segments, each segment wound over half the hose length and wired in parallel connection to the hose supply voltage.
3. Wire sizes shown are for no. 8 hoses up to 24 ft (730 cm) in length. For larger diameter and longer hoses, heater lead wires are 16 AWG. Other wire sizes and colors may be changed in special hoses per customer request.

Schematic 112633, Rev.A: DynaControl 2-Heater Hoses

Schematic 100951, Rev. B: Hose Nordson

Applicator end

ASU end



NOTES:

1. All wiring is routed through the hose.
2. Jumpers at ASU end pins 9, 11 and 12 are to be contained within the ASU end connector body.
3. Wire sizes shown are for no. 6 and no. 8 hoses up to 24 ft (730 cm) in length. For larger diameter and longer hoses, heater lead wires are 16 AWG. Other wire sizes and colors may be changed in special hoses per customer request.

Schematic 100951, Rev. B: Hose Nordson

This page intentionally left blank.

ITW Dynatec Service Parts and Technical Service:

| AMERICAS | EUROPE, MIDDLE EAST & AFRICA | ASIA PACIFIC | |
|--|--|--|--|
| <p>ITW Dynatec 31 Volunteer Drive Hendersonville, TN 37075 USA Tel. +1.615.824.3634 info@itwdynatec.com service@itwdynatec.com</p> | <p>ITW Dynatec Industriestrasse 28 40822 Mettmann Germany Tel. +49.2104.915.0 info@itwdynatec.de service@itwdynatec.de</p> | <p>ITW Dynatec Unit2, B1 Building No.9 Weixin Road SIP, Suzhou, 215122 China Tel. +86.512.6289.0620 info@itwdynatec.cn service@itwdynatec.cn</p> | <p>ITW Dynatec Tsukimura Building 5th Floor 26-11, Nishikamata 7-chome Ota-ku, Tokyo 144-0051, Japan Tel. +81.3.5703.5501 info@itwdynatec.co.jp service@itwdynatec.co.jp</p> |