

Vector™ Modular Application System

The Vector™ metering station and modular adapters deliver adhesive to a variety of applications with extreme accuracy. This flexible system utilizes the remote metering station as a common pump base and can be easily configured for use with other applicators including slot, spray, and bead. The remote metering station can also be used independently to ensure accurate adhesive delivery to any applicator.

Vector™ Modular Application System:

- Applicators share a common base with other applicators including slot, spray, and bead.
- Interchangeable parts for applicators and metering station reduce spare parts inventory.
- AC or servo motor and precision gearbox for accurate speed control of pump (5-45 RPM AC, 1-45 Servo).
- The Vector™ metering station provides up to $\pm 0.5\%$ accuracy, cross web and machine direction.
- Standard applicator widths of 100mm, 200mm, 300mm, 400mm, 500mm, and 600mm.
- Vector™ metered pumps can be changed in less than five minutes.

Metering Station

The Vector™ pump base is a common component to all three delivery platforms.

Hose Output Adapter

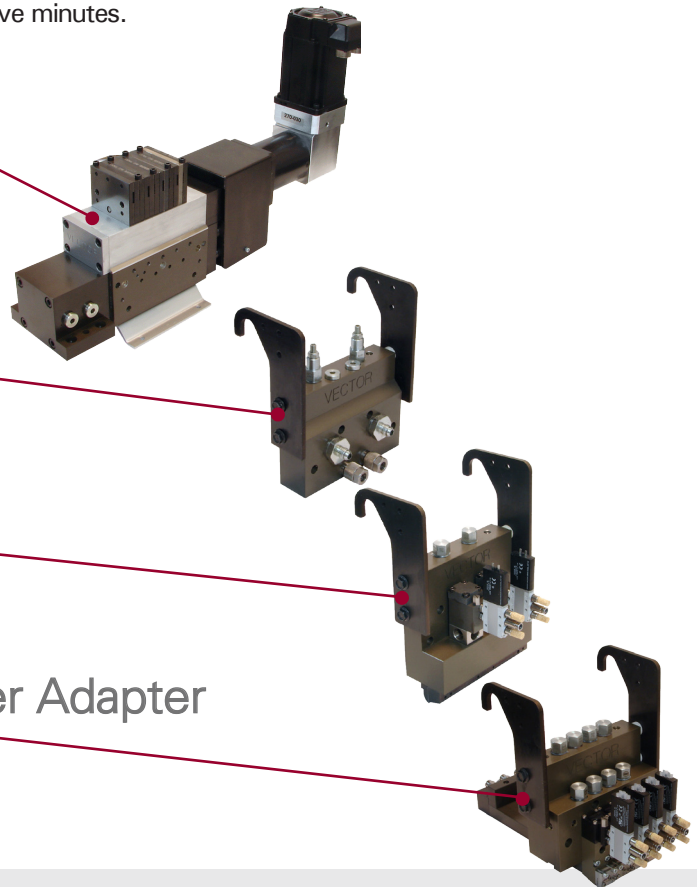
The hose adapter allows precise adhesive supply to standard applicators.

Slot Adapter

The Apex™ slot adapter coats intermittent or continuous films or ribbons.

UFD Omega/Random Fiber Adapter

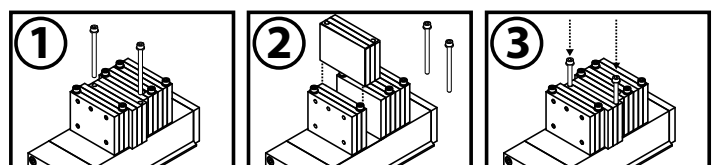
The non-contact adapter delivers adhesive without contacting the substrate.



The Dynatec *Difference*

Vector™ Quick-Change Metering Pumps

In addition to metering accuracy up to 0.5%, Vector™ Pumps can be easily changed in less than five minutes by removing two retaining screws. With conventional equipment, pump changes often take more than an hour of cumbersome work with significant downtime.



System Specifications:

| | |
|-----------------------------|---------------------------|
| Operating Temperature | 10 to 218°C (50 to 425°F) |
| Adhesive Add-on Rates | 0.4 to 150cc/min/pump |
| Electrical Service Standard | 240 VAC 1 Phase 50/60 Hz |
| Working Viscosity | 500 - 30,000 cps |
| Temperature Zones | 2 max |

Available Meter Sizes:

| | |
|---------|---------|
| 2 Port | 4 Pump |
| 4 Port | 8 Pump |
| 6 Port | 12 Pump |
| 8 Port | 16 Pump |
| 10 Port | 20 Pump |
| 12 Port | 24 Pump |

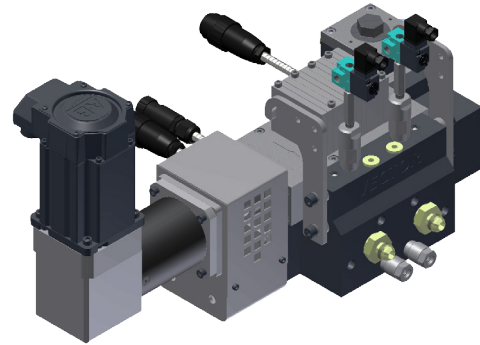
Available Head Sizes:

| | |
|-------|---------|
| 100mm | 4 Pump |
| 200mm | 8 Pump |
| 300mm | 12 Pump |
| 400mm | 16 Pump |
| 500mm | 20 Pump |
| 600mm | 24 Pump |

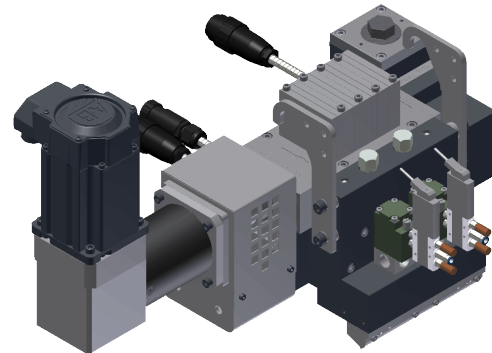
Available Pump Sizes:

| | |
|------------|-------------|
| 0.4 cc/rev | 0.9 cc/rev |
| 0.5 cc/rev | 1.0 cc/rev |
| 0.6 cc/rev | 1.7 cc/rev |
| 0.7 cc/rev | 3.34 cc/rev |
| 0.8 cc/rev | |

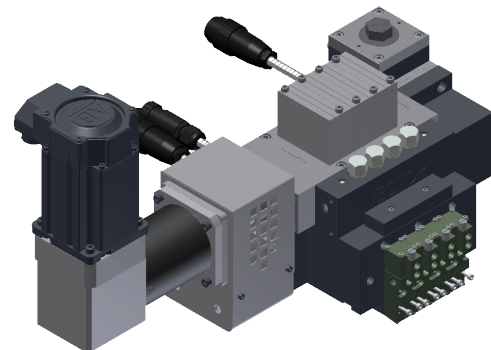
Remote Metering Station (RMS)



Slot Applicator



UFD Omega/Random Fiber Applicator



Vector™ Platform shown with optional servo motor.

CHINA

ITW Dynatec Suzhou
Unit2, B1 Building
No.9 Weixin Road
SIP, Suzhou, China 215122
Telephone +86.512.6289.0620
Fax +86.512.6289.0621
dynatecsuzhou@itwdynatec.cn

AMERICAS

ITW Dynatec
31 Volunteer Drive
Hendersonville, TN 37075
Telephone 615-824-3634
+1.800.860.6150
Fax +1.615.264.5248
dynatec@itwdynatec.com

JAPAN

ITW Dynatec K.K.
Tsukimura Building 5th Floor
26-11, Nishikamata 7-chome
Ota-ku, Tokyo 144-0051, Japan
Telephone +81.3.5703.5501
Fax +81.3.5703.5505
info@itwdynatec.co.jp

EUROPE, AFRICA & MIDDLE EAST

ITW Dynatec GmbH
Industriestrasse 28
D-40822 Mettmann, Germany
Telephone +49.210.4915.0
Fax +49.210.491.5111
e.mail@itwdynatec.de

ITW Dynatec TenPlus
ZI Croix de Raville
28500 Cherys, France
Telephone +33(0)2.37.62.56.47
Fax +33(0)2.37.62.56.40
info@itwdynatec.fr